



## Ricon KlearVue™ PLATFORM LIFTS

The KlearVue™ with its unique horizontal fold provides two key benefits. First, it allows an unobstructed view from inside or outside the vehicle. Second, the KlearVue™ does not require a raised roof or lowered floor. No vehicle modification is needed thanks to advanced engineering that allows a longer 51" platform to fit in a shorter 48" door. The KlearVue™, by making the most of space, advances lift usability, to a dynamic new level.

### ADVANTAGES:

- Automatic inboard/outboard rollstops
- Quiet, smooth operation
- Stable and compact when stowed
- Permanent, no-lube bearings at all major pivot points
- Powerful hydraulic pump
- Built-in manual back-up system

*Imagine the possibilities*



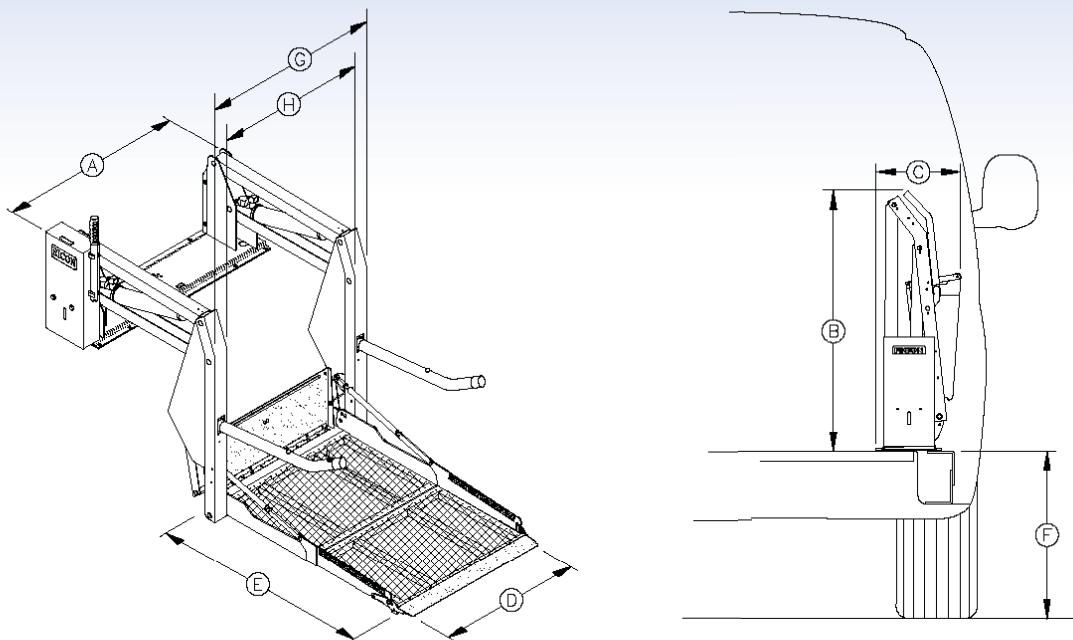
FOR MORE INFORMATION, VISIT [VANTAGEMOBILITY.COM](http://VANTAGEMOBILITY.COM)

Vantage Mobility International, LLC • 1-800-348-VANS (8267) • 5202 S. 28th Place, Phoenix, Arizona 85040-9915

## K-SERIES PRIVATE USE PLATFORM LIFT

Power..... electro-hydraulic  
 Motor rating @ 12 volts DC ..... 65.0 amp. avg/cycle, 1250 psi  
                   @ 24 volts DC ..... 32.5 amp. avg/cycle, 1250 psi  
 Hydraulic cylinders ..... 2 ea, 1.5", power-up/gravity-down

Rated load capacity ..... 600 lbs  
 Manual backup (up)..... hand pump  
 Manual backup (down)..... pressure release valve  
 Lift weight ..... 310 - 325 lbs



### DIMENSIONS (inches)

	<b>A</b>	<b>B</b>	<b>C</b>	<b>D</b>	<b>E</b>	<b>F</b>	<b>G</b>	<b>H</b>
<b>MODEL</b>	Stationary frame width	Height (folded)	Installation depth (folded)	Usable platform width	Usable platform length	Floor-to-ground travel	Traveling frame width	Clear entry width
K1132	43	38.6	15.5	26	38	24	33.5	29.25
K1200	47	38.5	15.5	30	44	28	37.5	29.25
K1203	47	43.6	15.5	30	51	28	37.5	29.25
K1205	49	43.6	15.5	32	51	28	39.5	31.25

\* Lift can be rated 800 lbs. with optional install kit.

*Imagine the possibilities*



FOR MORE INFORMATION, VISIT [VANTAGEMOBILITY.COM](http://VANTAGEMOBILITY.COM)

Vantage Mobility International, LLC • 1-800-348-VANS (8267) • 5202 S. 28th Place, Phoenix, Arizona 85040-9915